

n_mood 2



NICOLETTIHOME

Model Code N8389

revision 00 of 25-03-15
(the present replaces any previous versions)

Designer: CENTRO STUDI NICOLETTI HOME

Structure: Pinewood, multilayer covered with polyurethane foam.

Spring system: Elastic webbing.

Seat Padding: Seat cushion in ecologic polyurethane foam covered with 100% polyester layer.

Removability: Not available

Sewing: Leather coverings feasible with contrast stitching in the colors available; cuts and sewing vary on microfiber (or fabric) coverings.

Standard feet: GRAUBRAUN varnished steel PM921, h. 12 cm.

Optional versions: Arm pillow (683), made of a roll and a feather mix cushion; it can be used both as headrest and as armrest. Feather mix back (879) with lined polyurethane foam. Feather mix roll (750).

Please note: Available in category "TD" only in art. FLAMBE'

Density of seat and back

Markets	Seat	Back
I	35 Medium	35 + PIUMA
D - NL - CH		
USA		
GB - California	35 fire retardant	35 + PIUMA fire retardant
Others	35 Medium	35 + PIUMA

Note: when no values/contents are specified in the chart, please refer to 'Others' field/area.

Coverings

	suggested	not suggested	not possible
thick leathers	✓		
thin elastic leathers	✓		
natural leathers	✓		
fabric			✓
microfibre			✓
leather + split			✓
DeLuxe			✓
multicovering			✓
multicolour	✓		

Please note: for not removable models, only one colour fabric covers are available.

MULTICOLOR: available, in the same article of leather, in two tones: 1st color: frame base; 2nd color: seat cushion. --- Available in category "TD" only in art. FLAMBE'

Multicovering / Components / Optional vers.



683

mood_879

750

Feet



PM921

Ottoman



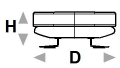
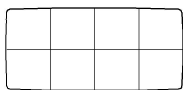
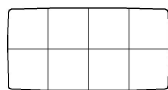
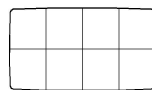
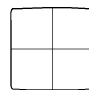
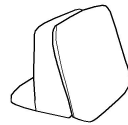
With the reservation of carrying for production purposes and without advanced notices modifications on the materials, coverings and dimensions of the product as indicated in the relevant specification. The given dimensions and volume are of indicative value being subject to the production process tolerances.

↑ fold following the dotted line ↑

n_mood 2

NICOLETTIHOME

L Length - H Height - D Depth - SH Seat Height - SD Seat Depth
Dimensions refer to maximum sizes.

					
dimensions	L 225 H43 D105 SH- SD-	L 205 H43 D105 SH- SD-	L 185 H43 D105 SH- SD-	L 105 H43 D105 SH- SD-	L 67 H50 D46 SH- SD-
version code	157	158	159	160	879
Description	base 105x225	base 105x205	base 105x185	base 105x105	back cushions



L 50 H22 D55 SH- SD-
683
armrest pillow

↓ fold following the dotted line ↓